
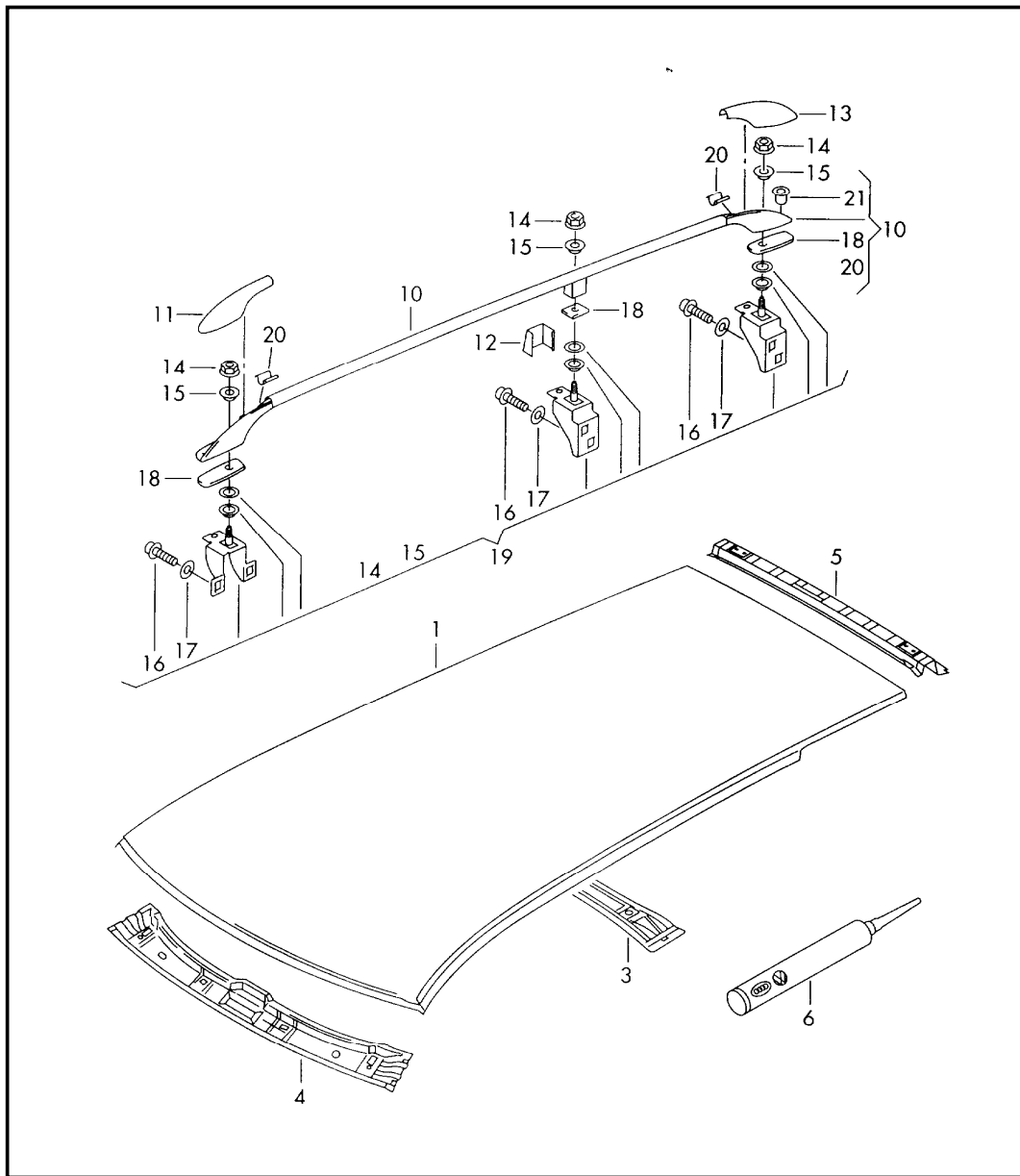



Model	Year	MG	SG	Illustration	Restrictions	UPD	20:33	12.09.2007		ETKA
JEW	2003	8	17	817-10		597	USA			



Pos	Part Number	Name	Remarks	Qty	Model
		roof roof rail			
(1)	1J9 817 101 E	roof for vehicles with sliding roof		1	
(1)	1J9 817 111 F	roof		1	
3	1J0 817 117 A	roof reinforcement	center	1	
4	1J0 817 121 A	roof cross member	front	1	
(5)	1J9 817 163 C	roof cross member	rear	1	
6	b D 511 500 A2	adhesive/sealing paste	290ML	X	
(6)	b DA 001 730 A1	2k-epoxi-adhesive	37ML	X	
		roof rail			
10	1J9 860 025 B	roof rail	left	1	
	05/02-04/0603C	rally black			
(10)	1J9 860 026 B	roof rail	right	1	
	05/02-04/0603C	rally black			
11	1J9 860 145 B	cover	left front	1	
	05/02-04/06B41	satin black			
(11)	1J9 860 146 B	cover	right front	1	
	05/02-04/06B41	satin black			
12	1J9 860 147 B	cover	left, center	1	
	05/02-04/06B41	satin black			
(12)	1J9 860 148 B	cover	right, center	1	
	05/02-04/06B41	satin black			
13	1J9 860 149 B	cover	left rear	1	
	05/02-04/06B41	satin black			
(13)	1J9 860 150 B	cover	right rear	1	
	05/02-04/06B41	satin black			

Model	Year	MG	SG	Illustration	Restrictions	UPD	20:33	12.09.2007		ETKA
JEW	2003	8	17	817-10		597	USA			

Pos	Part Number	Name	Remarks	Qty	Model	Pos	Part Number	Name	Remarks	Qty	Model
14	+ N 023 003 8	shouldered hex. nut, self-locking	M8	6							
15	N 023 732 1	retaining washer	C10,5	6							
16	+ N 014 710 7	bolt, with hex. socket hd.	M8X20	12							
17	N 901 076 04	washer	8,2X18X2	12							
18	1J9 860 151	gasket set roof rail		1							
19	1J9 860 565	retaining clamp roof rail		2							
20-21	1J9 860 349	1 set of securing parts		1							
-		carrier bar bag for carrier bars, limiting bars ** see accessories catalog **									